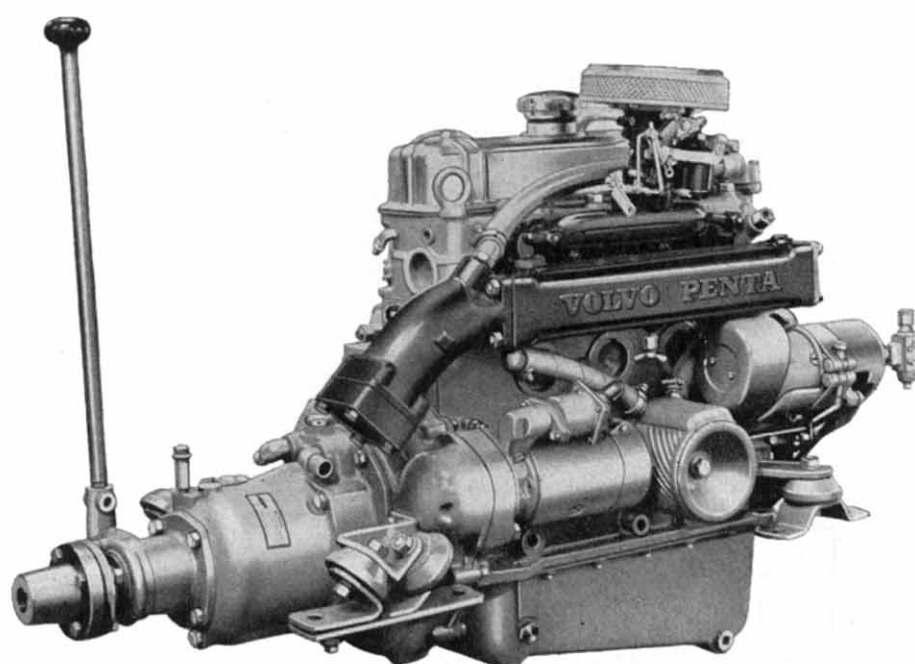




BB 70

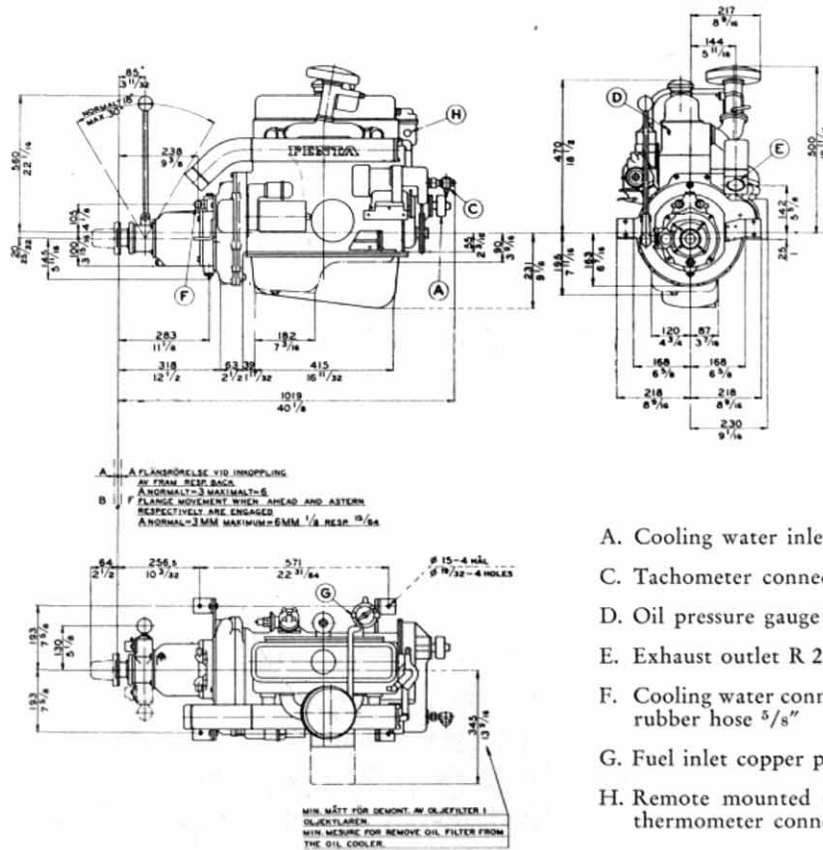
VOLVO-PENTA MARINE ENGINE

The Volvo-Penta BB 70 is very economical in operation, a fact greatly appreciated by speed enthusiasts. When fitted with the 1.91:1 pulling reduction-reverse gear, the BB 70 delivers the extra power needed for water skiing and other water sports. The BB 70 can also be supplied with the direction of rotation reversed for twin installations (BB 70 R).

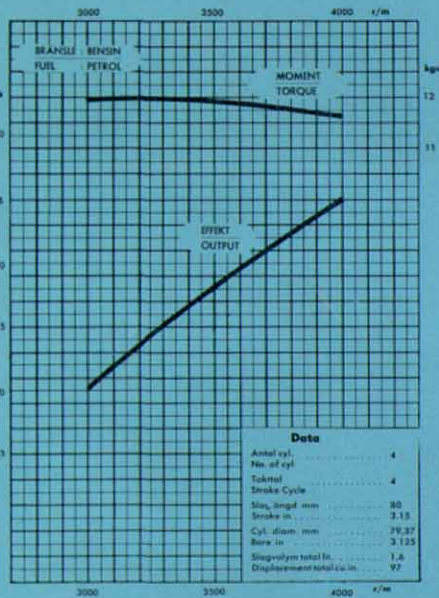


VOLVO-PENTA MARINE ENGINE, TYPE BB 70

Dimension drawings



- A. Cooling water inlet for rubber hose 5/8"
- C. Tachometer connection
- D. Oil pressure gauge connection
- E. Exhaust outlet R 2" pipe tap
- F. Cooling water connection reduction gear, rubber hose 5/8"
- G. Fuel inlet copper pipe outer diam. 5/16"
- H. Remote mounted cooling water thermometer connection



Data

- Type of engine Four-stroke
- Fuel Petrol
- Valves Overhead
- Number of cylinders 4
- Output 50—65 h.p.
- Engine speed 3000/4000 r.p.m.
- Bore 79.37 mm (3.125")
- Stroke 80 mm (3.15")
- Capacity 1.6 litres (98 cu.in.)
- Compression ratio 8,2: 1
- Weight, approx. 180 kg (400 lb.)

AKTIEBOLAGET

PENTA

Box 392, Göteborg 1, Sweden
 Cables: Penta

— a Volvo Company